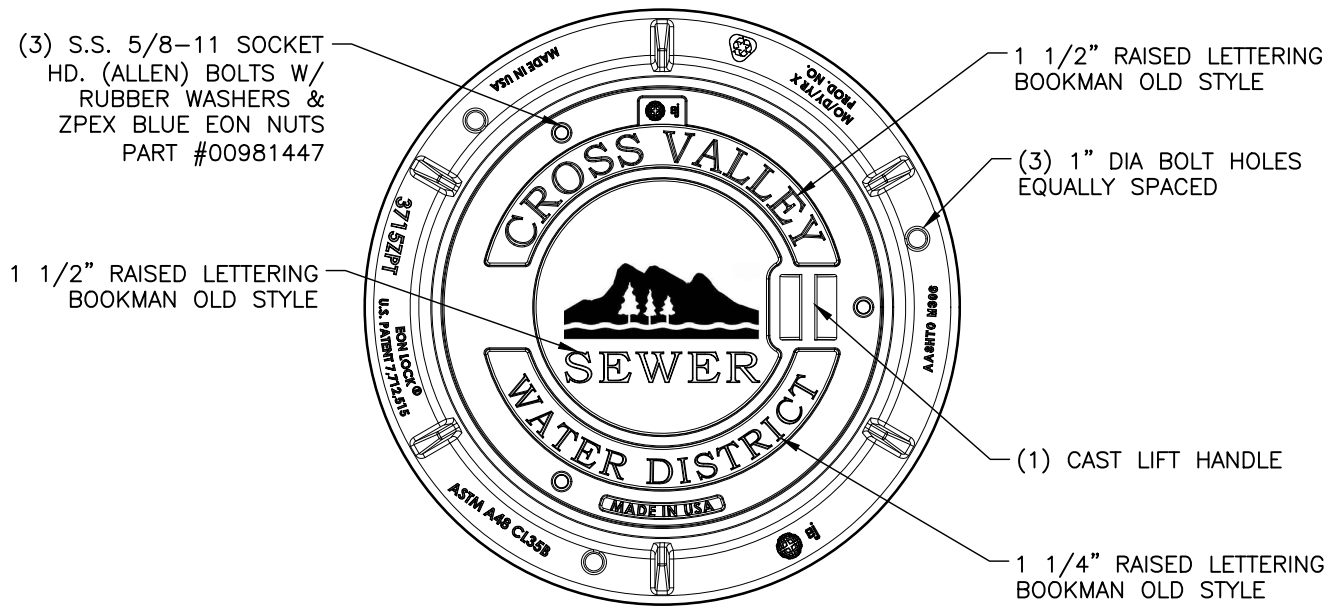
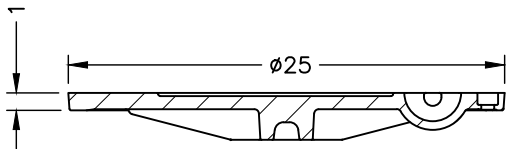


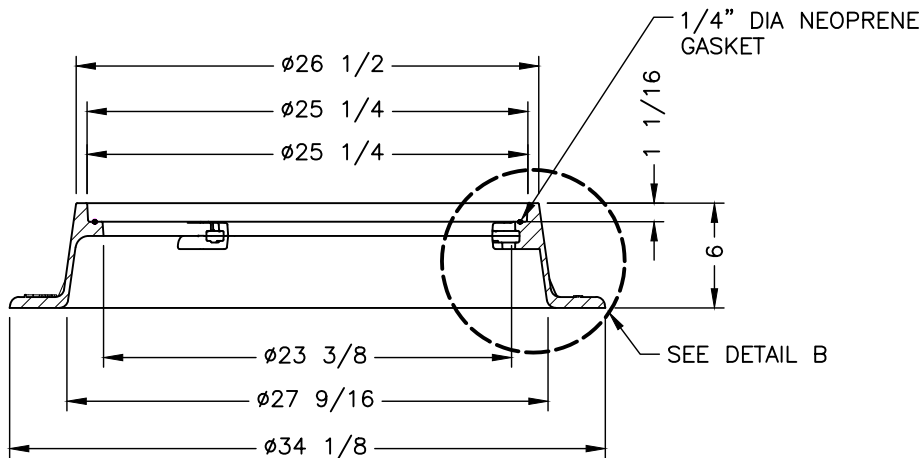
DI Assembly - EJIW PRODUCT NO. 003705017W01



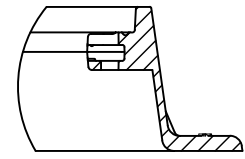
PLAN VIEW



COVER SECTION



FRAME SECTION



EON LOCK ®

DETAIL B

NOTES:

1. PROVIDE 3 EACH 5/8", 11N.C. SOCKET HEAD SCREWS 1-1/4" LONG.
2. ALL HOLES FOR LOCKING COVER SHALL BE IN ALIGNMENT AND INTERCHANGEABLE.
3. TOTAL WEIGHT OF FRAME AND COVER SHALL BE 380 LBS. MINIMUM.
4. COVER SHALL BE AS PER STANDARD DETAIL AND PROVIDED WITH 3 HOLES FOR LOCK DOWN PURPOSE.

CROSS VALLEY WATER DISTRICT
STANDARD SEWER DETAILS

WATERTIGHT LOCKING FRAME AND
COVER

SD-4

NOT TO SCALE

JULY 2023