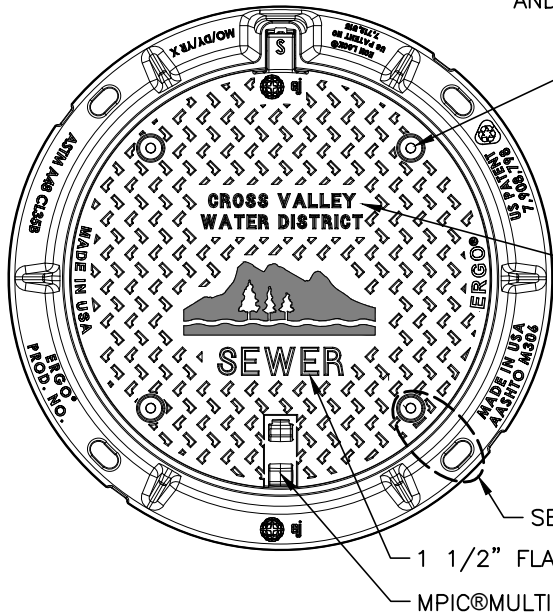


**ERGO Assembly**



**PLAN VIEW**

LIFT COVER SLIGHTLY AT 90 DEG AND GENTLY ROLL FORWARD TO RELEASE SAFETY LOCK

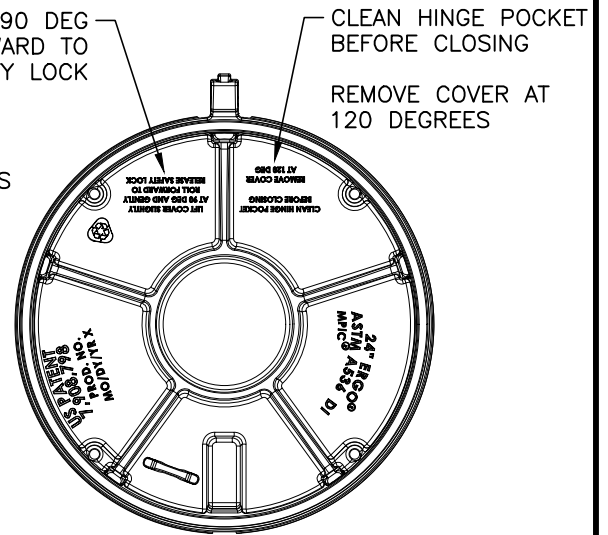
(4) 5/8" DIA. THRU HOLES FOR 1/2"-13 SS BOLTS ON A 23.00 DIA B.C. WITH SS AND RUBBER WASHERS

3/4" FLAT FACE GOTHIC

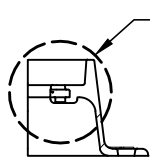
SEE DETAIL B

1 1/2" FLAT FACE GOTHIC

MPIC@MULTI-TOOL PICKBAR

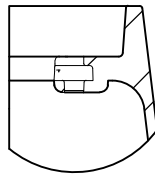


**COVER BOTTOM VIEW**

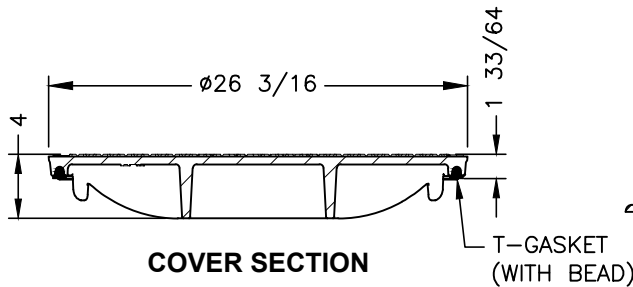


**DETAIL B**  
EON

SEE DETAIL E

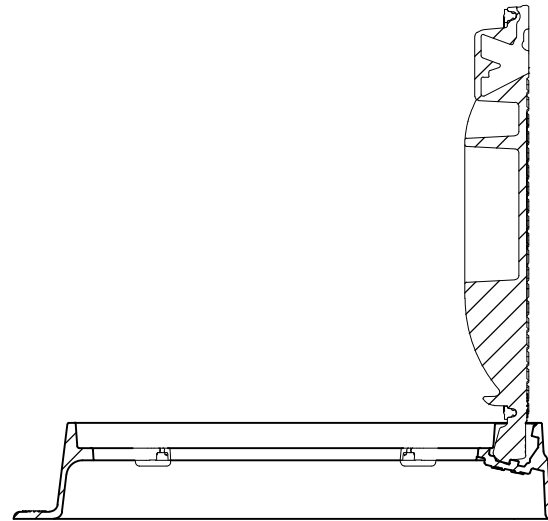


**DETAIL E**  
EON

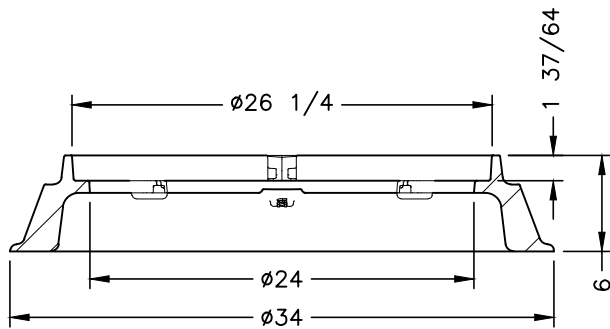


**COVER SECTION**

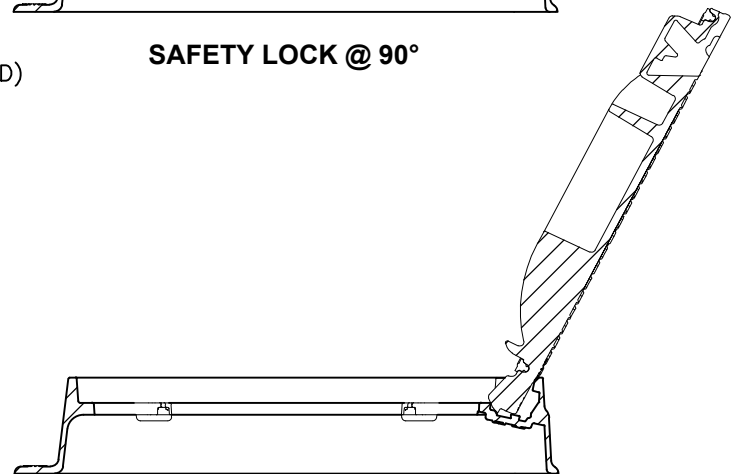
T-GASKET (WITH BEAD)



**SAFETY LOCK @ 90°**



**FRAME SECTION**



**FULLY OPENED @ 120°**

**CROSS VALLEY WATER DISTRICT  
STANDARD SEWER DETAILS**

**WATERTIGHT LOCKING MANHOLE  
FRAME AND COVER**

SD-4B

NOT TO SCALE

FEB 2022