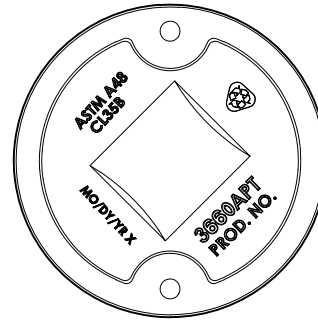
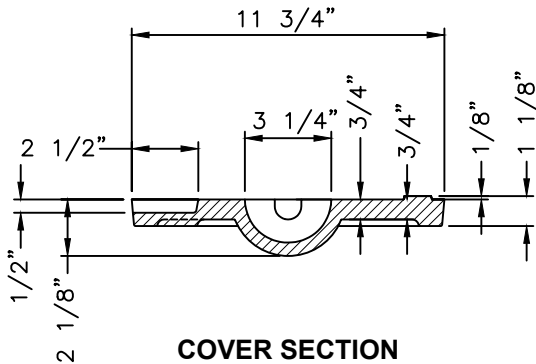


PLAN VIEW

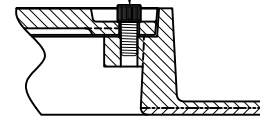


COVER BACK

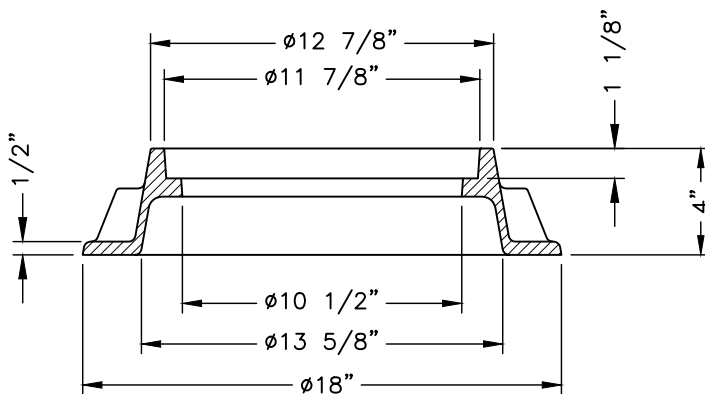


COVER SECTION

(2) BLT SOC. (ALLEN HEAD)
 5/8"-11 x 1-1/2" SS
 (PART #00981177)



BOLTING DETAIL



FRAME SECTION

**CROSS VALLEY WATER DISTRICT
 STANDARD SEWER DETAILS**

LOCKING C.O. FRAME & COVER

SD-6

NOT TO SCALE

FEB 2022