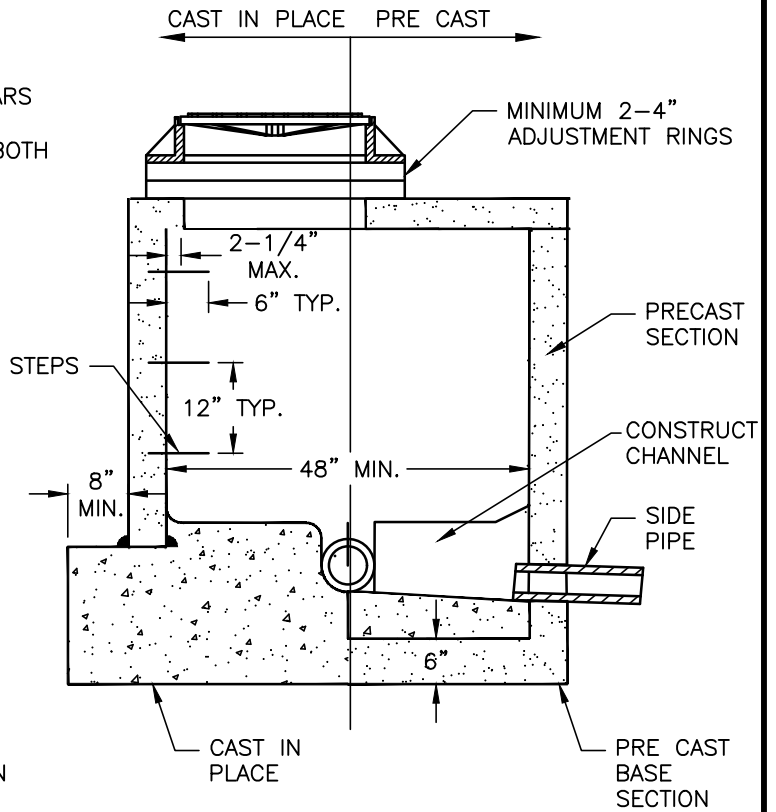
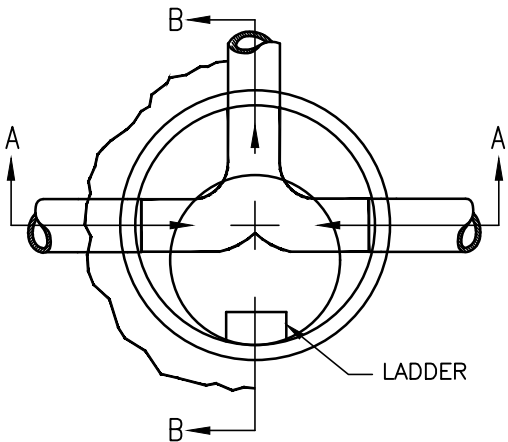


SECTION A-A



SECTION B-B



NOTES:

1. ONLY USED WITH SPECIAL WRITTEN APPROVAL FROM THE DISTRICT.
2. PRE CAST MANHOLE SECTION AND FLAT SLAB COVER SHALL CONFORM TO WSDOT STD DWG B-15.60-02.
3. ALL MANHOLE JOINTS AND PICK HOLES SHALL BE GROUTED WITH NON-SHRINK GROUT TO ENSURE A WATER TIGHT SEAL. GROUTS SHALL BE TRAWLED TO A BROOM FINISH INSIDE AND OUT.
4. ALL CHANNELIZATION OF MANHOLE BASES SHALL BE COVERED BY A RIGID MATERIAL DURING CONSTRUCTION OF ROAD SURFACES TO PREVENT FOREIGN MATERIALS FROM ENTERING SYSTEM.
5. MANHOLE ADAPTORS SHALL BE KOR-N-SEAL BOOTS OR APPROVED EQUAL.